



US00D413105S

United States Patent [19]

[11] Patent Number: Des. 413,105

Jobs et al.

[45] Date of Patent: ** Aug. 24, 1999

[54] COMPUTER ENCLOSURE

[75] Inventors: **Steven P. Jobs**, Palo Alto; **Jonathan P. Ive**; **Daniel J. Coster**, both of San Francisco; **Christopher J. Stringer**, Pacifica; **Daniele De Iulii**, San Francisco; **Bart K. Andre**, Menlo Park; **Richard P. Howarth**, San Francisco; **Calvin Q. Seid**, Palo Alto; **Douglas B. Satzger**, San Carlos; **Marc J. van de Loo**, Palo Alto, all of Calif.

D. 355,167	2/1995	Barbera et al.	D14/100
D. 361,550	8/1995	Mundt et al.	D14/100
D. 370,466	6/1996	Vossoughi	D14/100
D. 370,664	6/1996	Oates	D14/100
D. 370,897	6/1996	Lin	D14/113
D. 379,805	6/1997	Ratzlaff	D14/113
D. 383,444	9/1997	Han	D14/100
D. 398,591	9/1998	Back	D14/113

[73] Assignee: **Apple Computer, Inc.**, Cupertino, Calif.

Primary Examiner—M. H. Tung
Attorney, Agent, or Firm—Nancy R. Simon

[**] Term: **14 Years**

[57] **CLAIM**

The ornamental design for a computer enclosure, as shown and described.

[21] Appl. No.: **29/087,642**

DESCRIPTION

[22] Filed: **May 6, 1998**

FIG. 1 is a front, top, right side perspective view of a computer enclosure, showing our new design;
FIG. 2 is a front view thereof;
FIG. 3 is a right side view thereof;
FIG. 4 is a rear view thereof;
FIG. 5 is a left side view thereof;
FIG. 6 is a top view thereof;
FIG. 7 is a bottom view thereof; and,
FIG. 8 is a right side view of a computer enclosure with a flip stand extended, showing our new design.

[51] **LOC (6) Cl.** **14-02**

[52] **U.S. Cl.** **D14/100; D14/113**

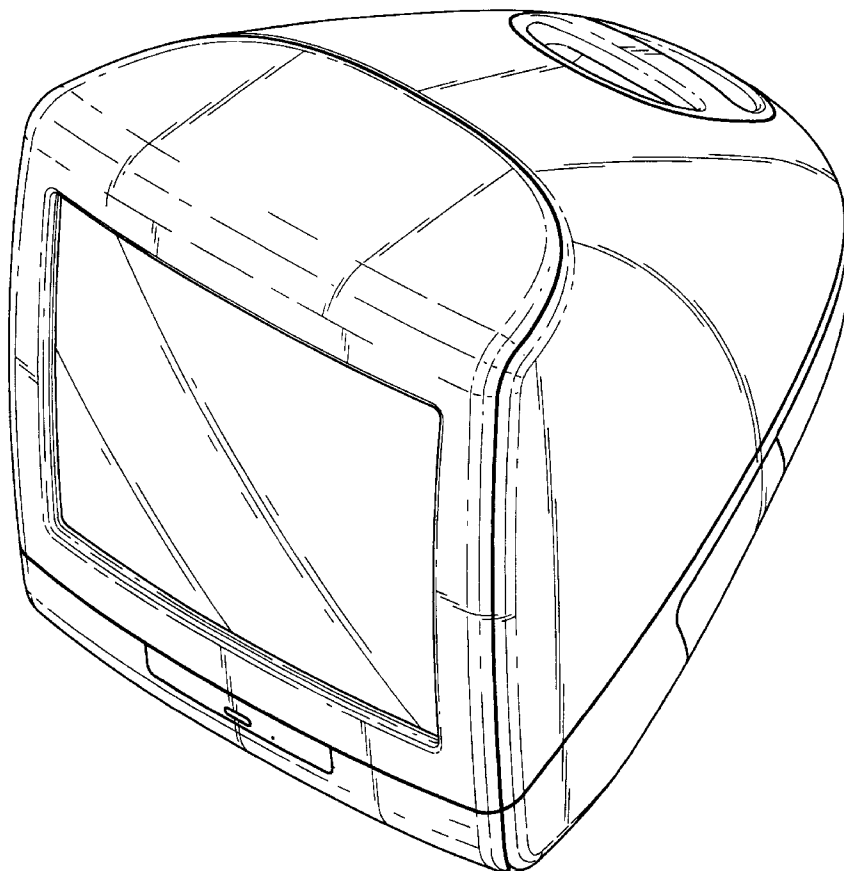
[58] **Field of Search** D14/100, 113, D14/114, 126, 102, 105, 125, 106; 345/133, 156, 901-5; 348/180, 184, 325, 739; 248/917-24

[56] **References Cited**

U.S. PATENT DOCUMENTS

D. 314,373 2/1991 Sacherman D14/113

1 Claim, 8 Drawing Sheets



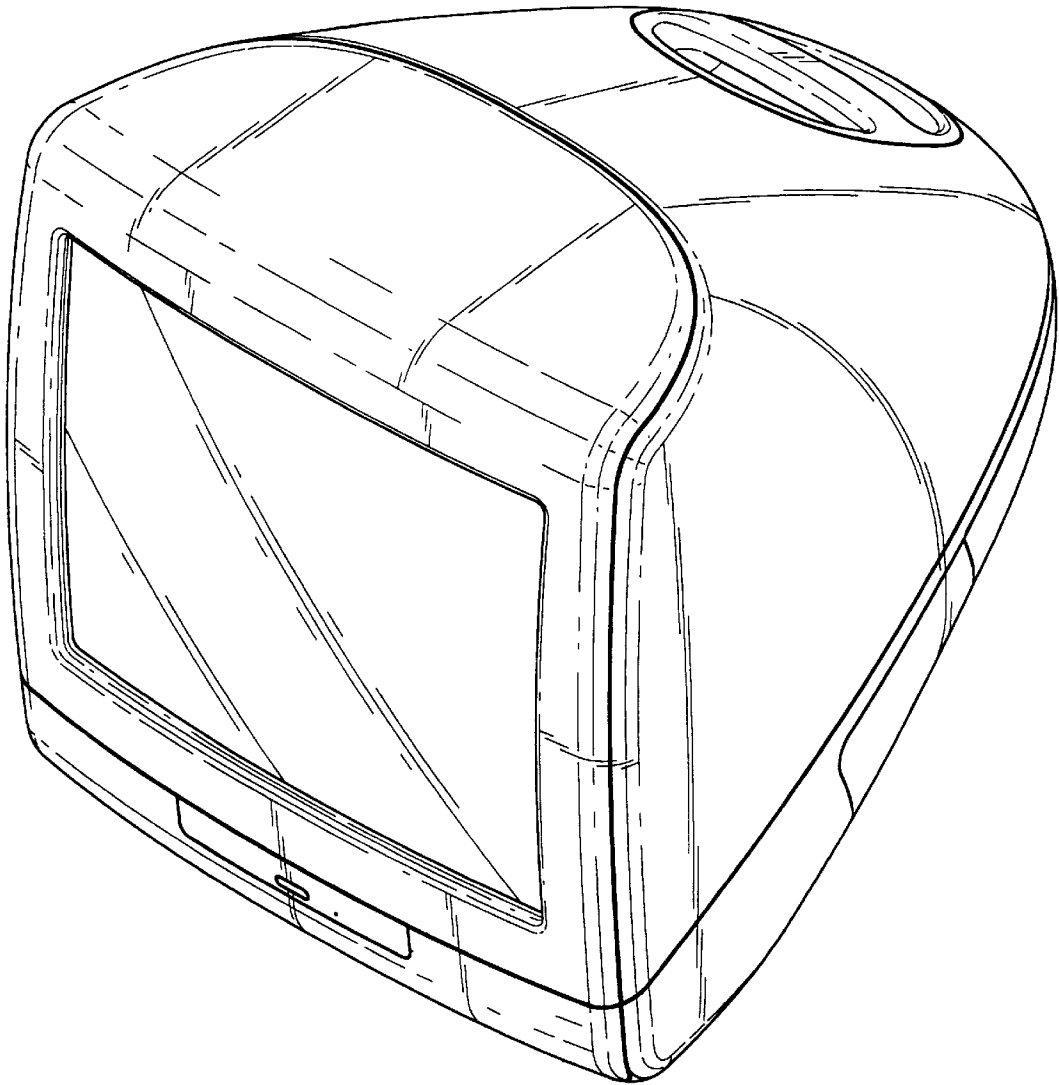


FIG. 1

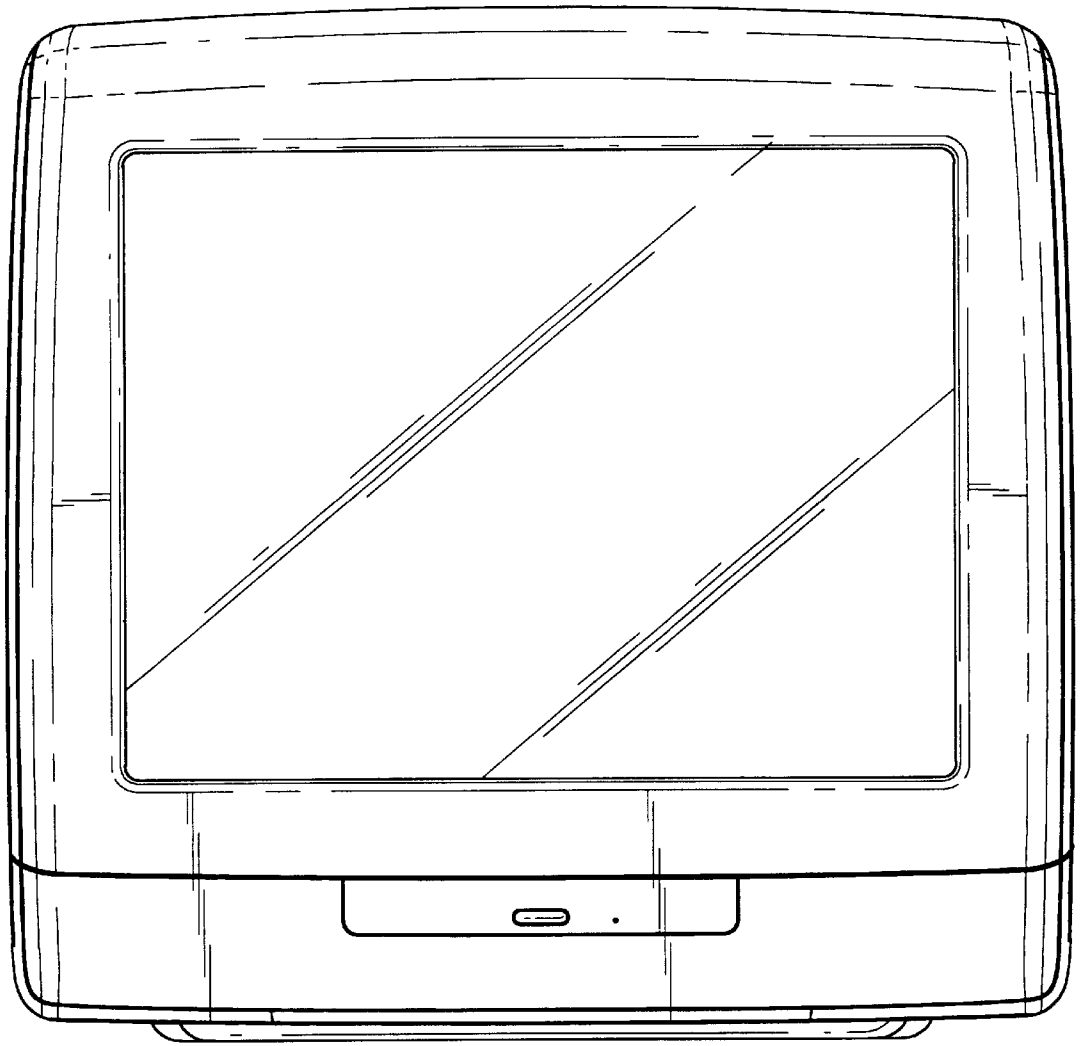


FIG. 2

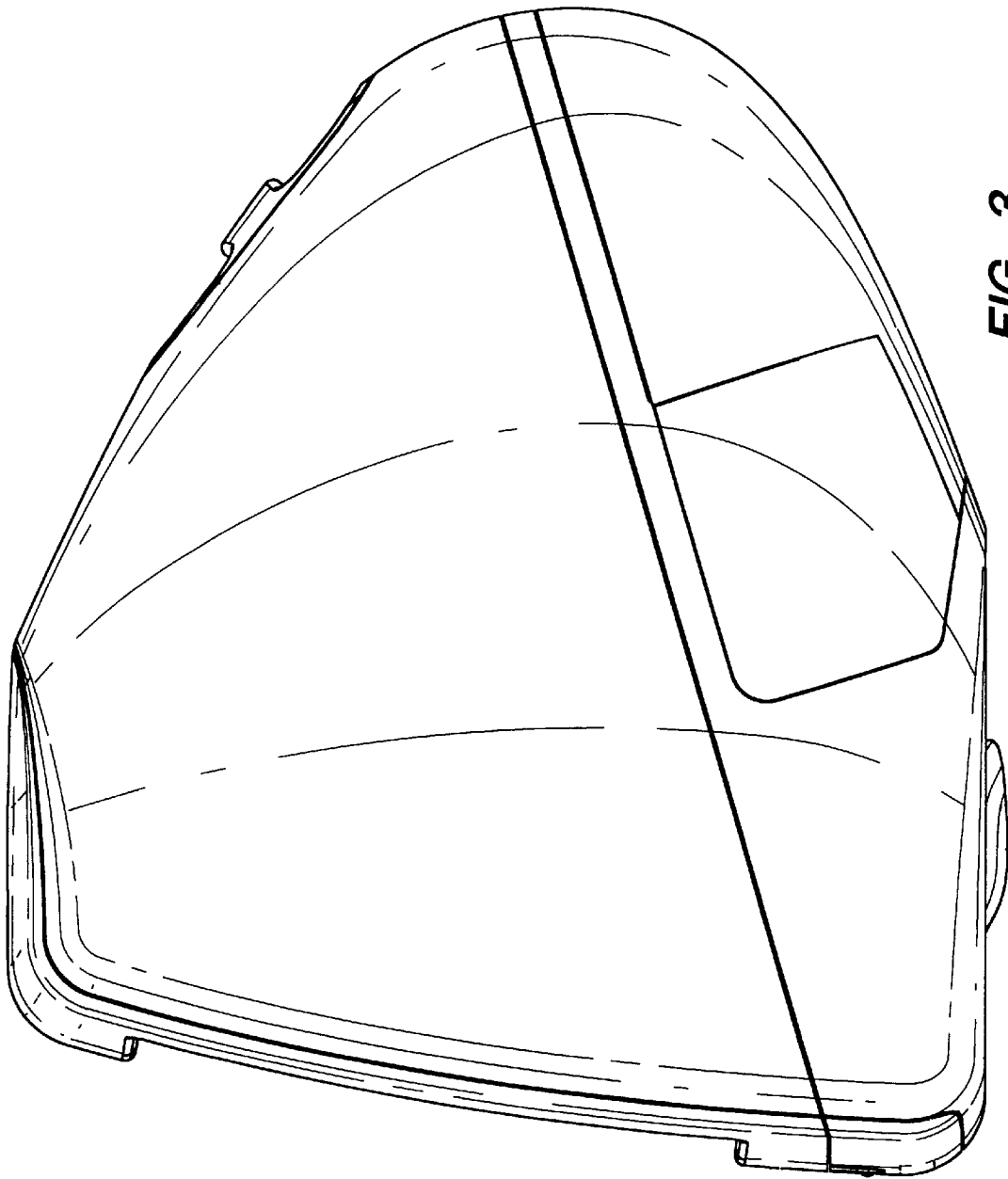


FIG. 3

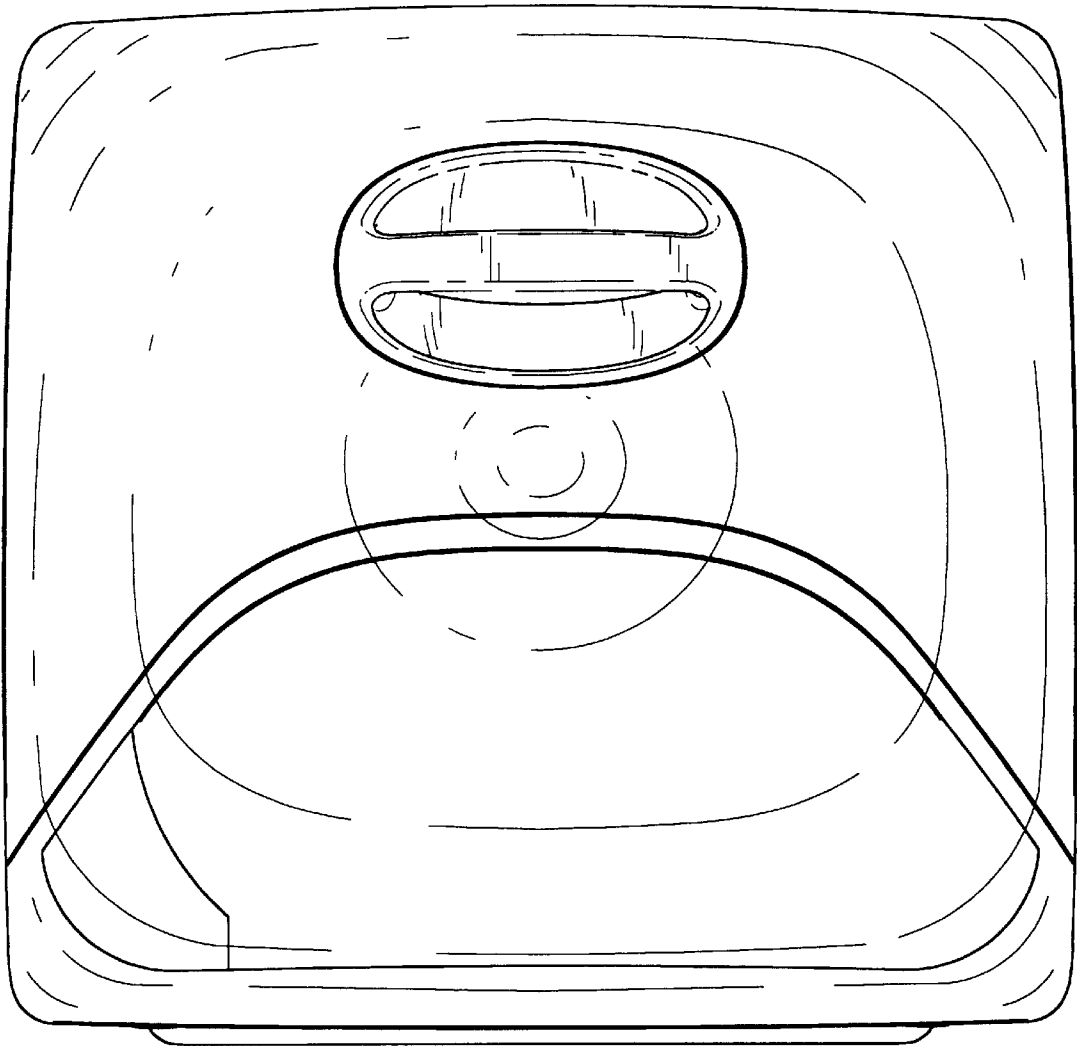


FIG. 4

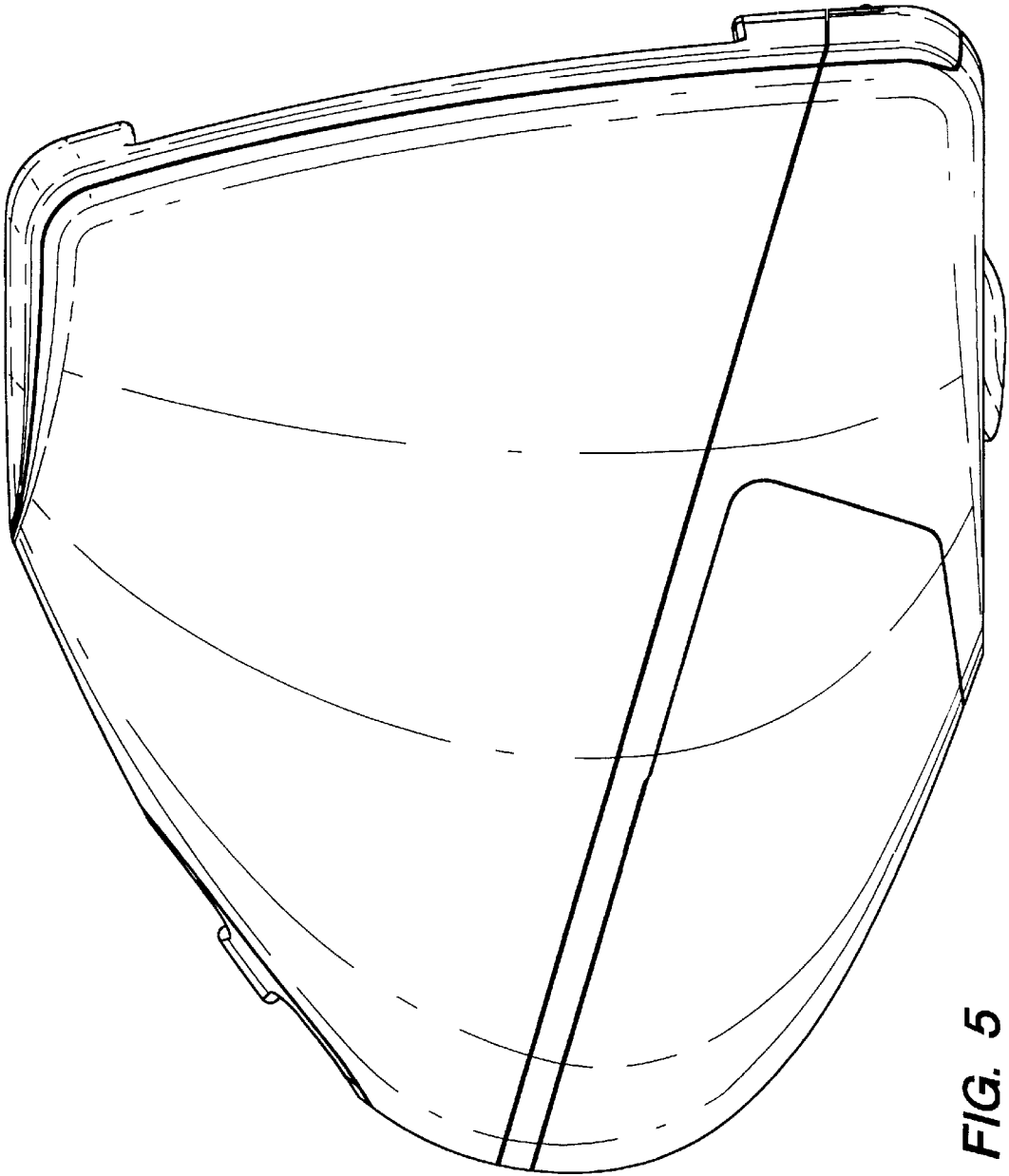


FIG. 5

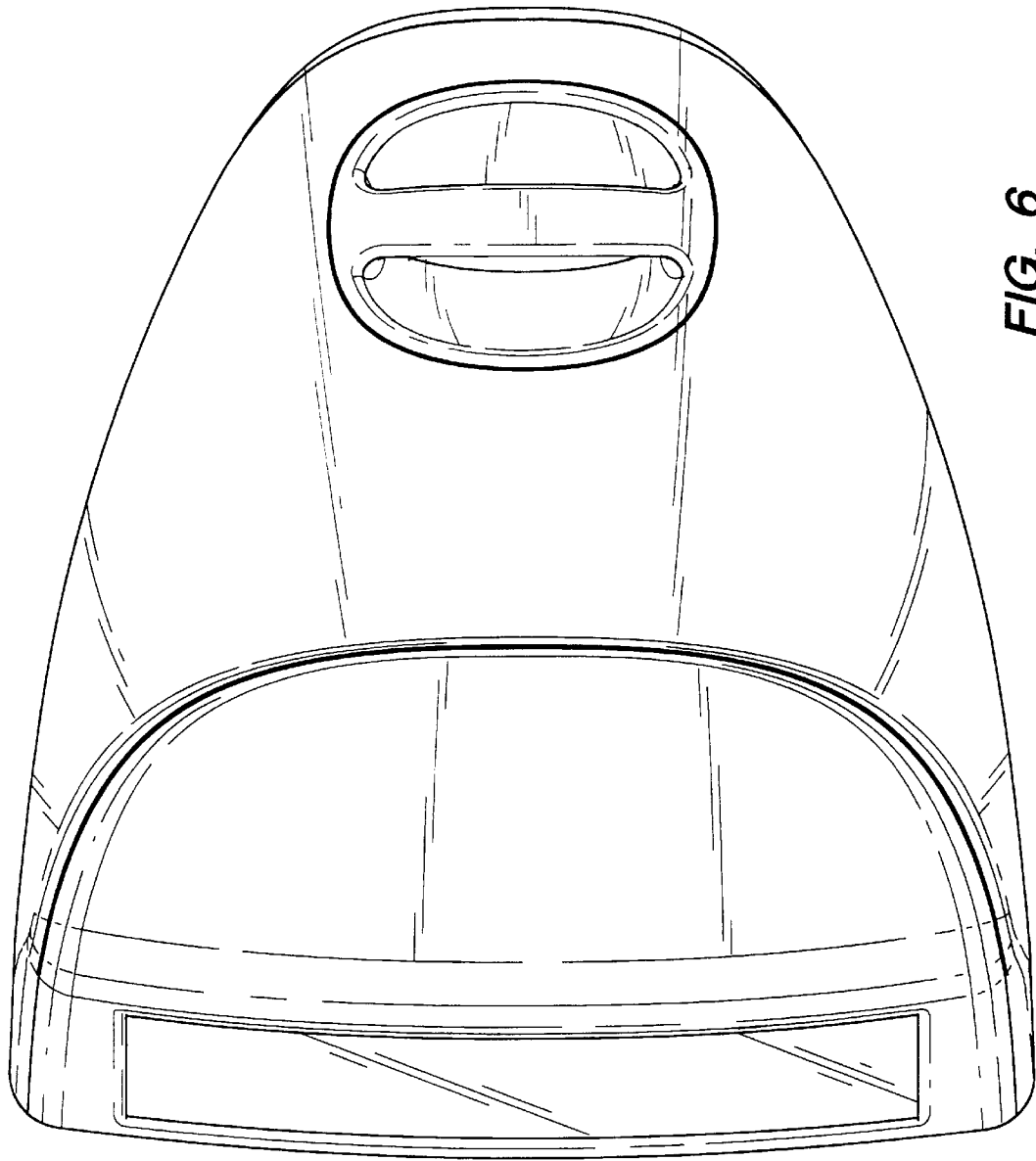


FIG. 6

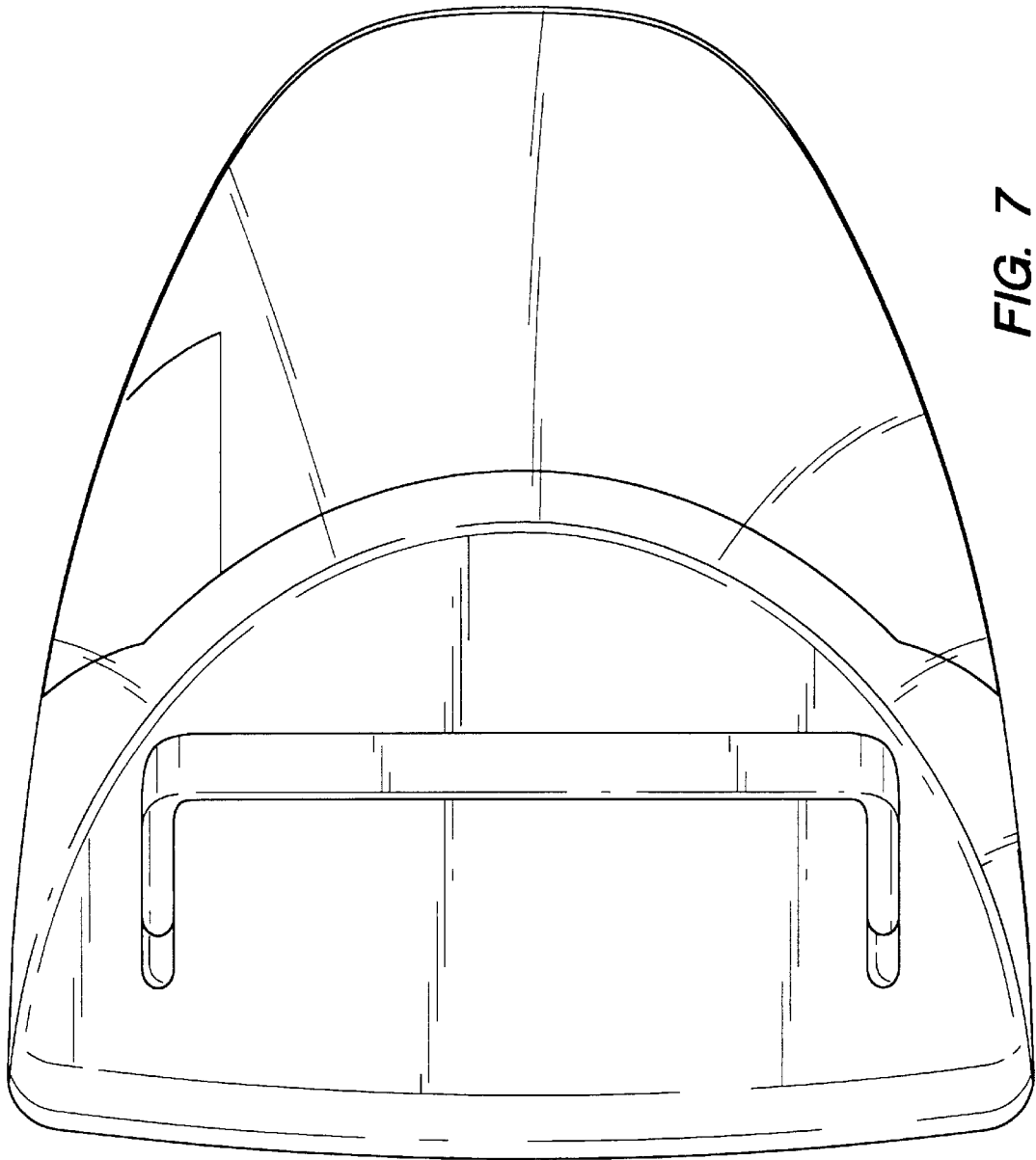


FIG. 7

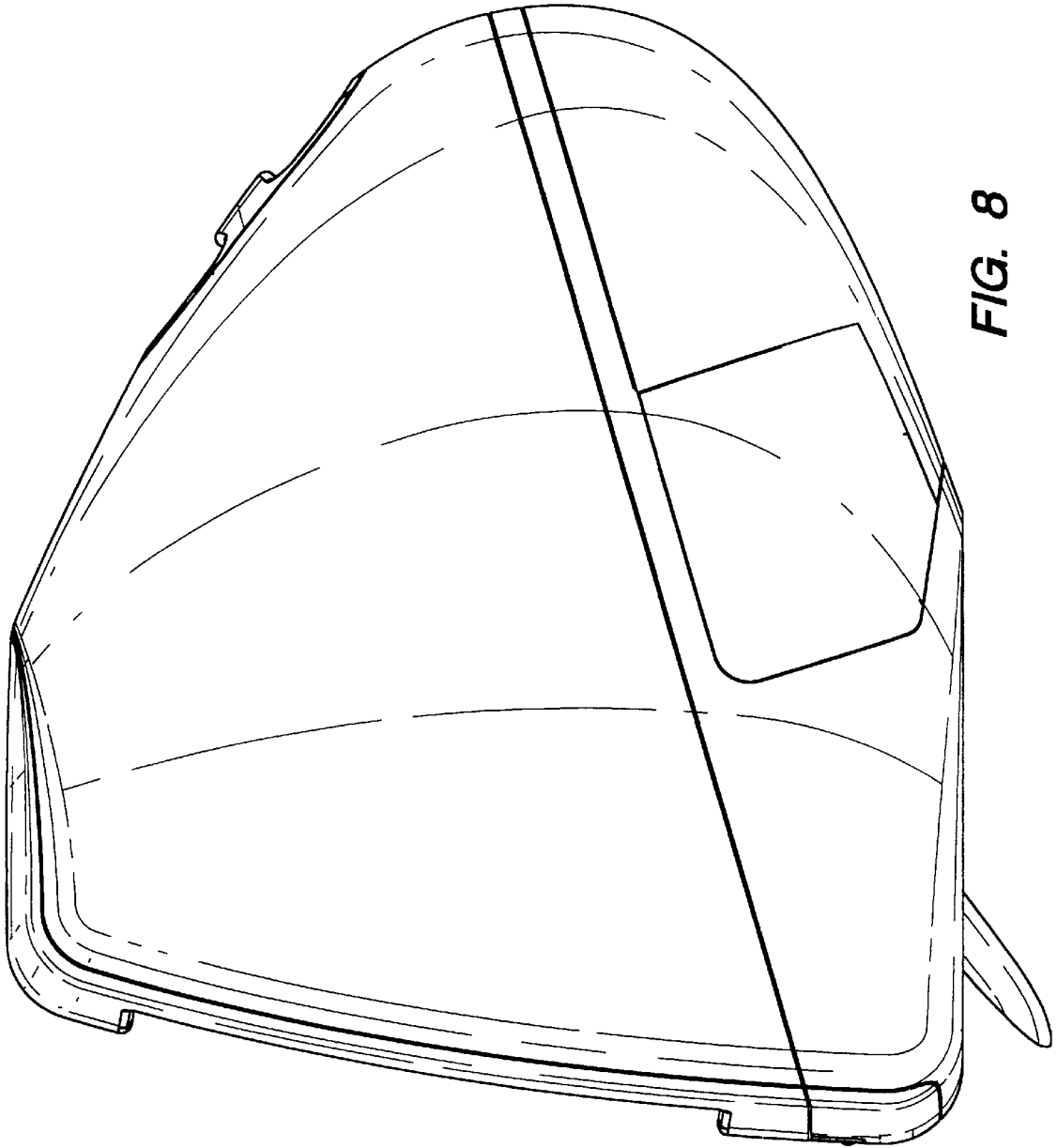


FIG. 8