

No Printed Specification Available

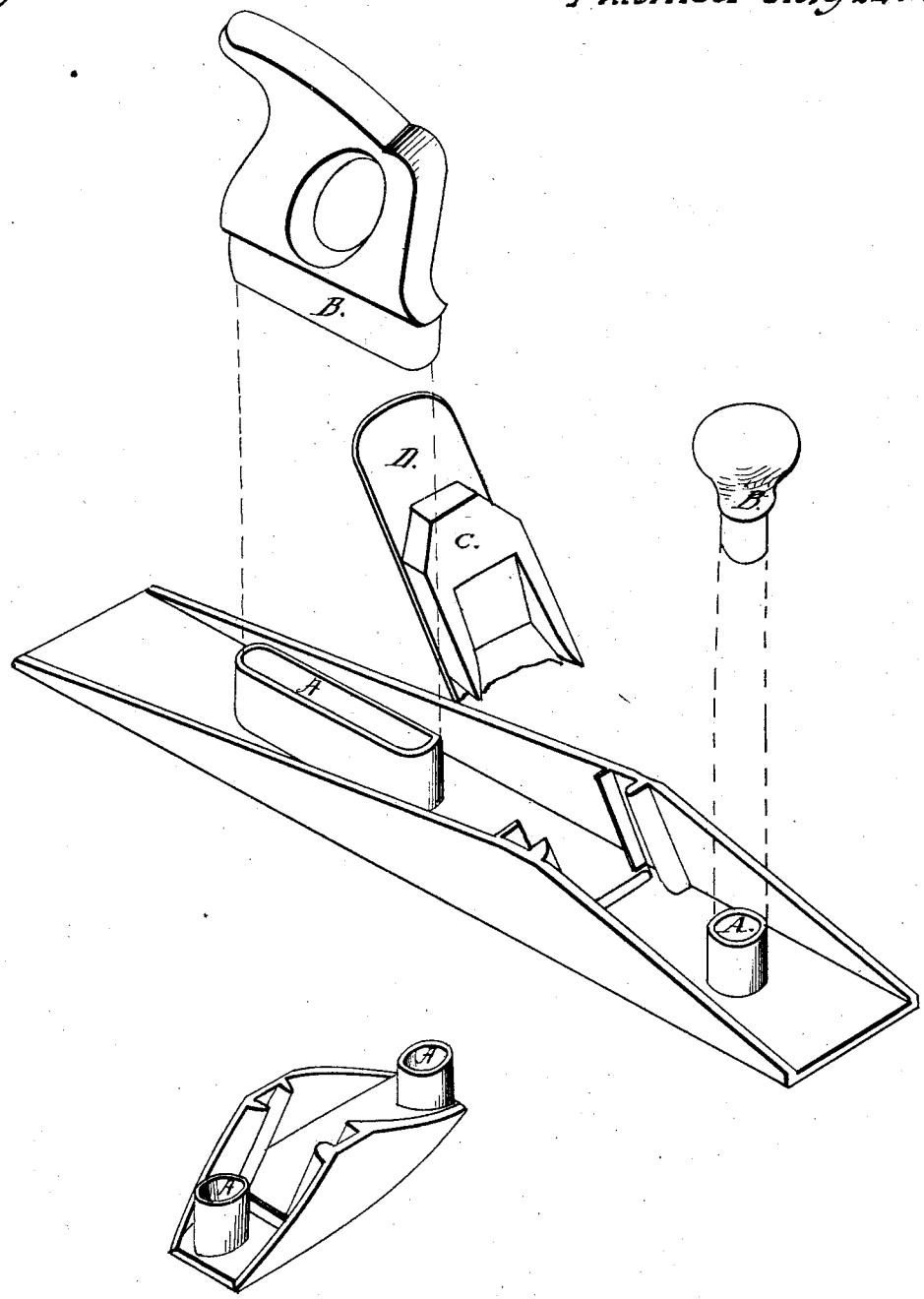
4859X

H. Knowles,

Bench Plates.

Patented Aug 24. 1827.

No





United States Patent Office

PTO - BOYERS, PA Duty Station

MISSING PAGE TEMPORARY NOTICE

PATENT # 4859X FOR ISSUE DATE 8-27-1827
HAS BEEN SCANNED, BUT WITH MISSING PAGE(S). UPON RECEIVING
OF MISSING PAGE(S), THE ENTIRE DOCUMENT WILL BE RESCANNED.
PLEASE CALL IMAGE DATA ADMINISTRATION STAFF OF 557-6154 IF
YOU HAVE A QUESTION. ASK FOR DAVE GROOMS, ANITA YOUNG OR
POLA JONES.

THIS NOTICE IS FOR THE MISSING PAGE CONTAINING:

COLUMN # All Text

Data Conversion Operation

Boyers, Pa